

Industrial Inkjet

**RICOH**  
imagine. change.

# RICOH MH2420

With excellent durability enabled by its stainless steel construction and support for a broad range of inks, this inkjet print head supports a diverse range of applications.



## Excellent durability and extended service life

Ricoh's inkjet print heads are made of stainless steel. These heads are highly robust and offer excellent anti-corrosion properties for multiple inks, resulting in excellent durability and extended service life.

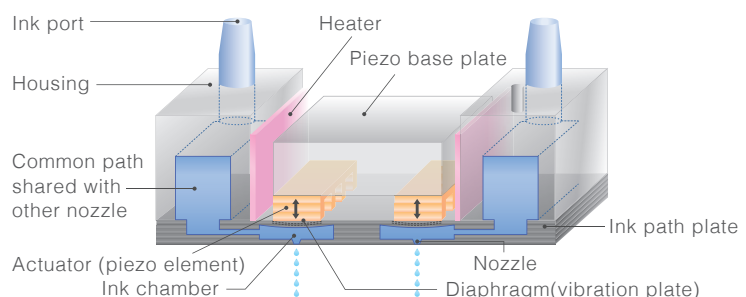
## Support for different inks

With its built-in heater, these heads are capable of jetting high-viscosity inks. Additionally, the ink path is isolated from the actuator (piezo elements), i.e. no ink contact.

## Variable drop volume capability

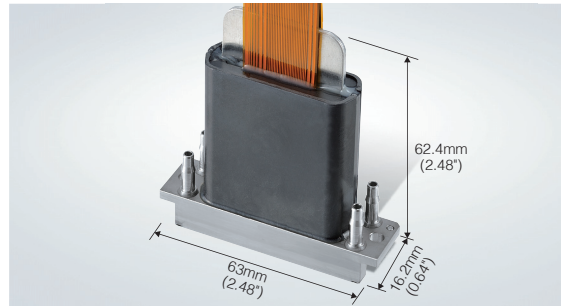
The multi-drop capability allows the creation of a range of drop sizes enabling grey-scale printing.

## Ricoh inkjet head construction and configuration image



**Standard inkjet head with excellent durability, extended service life,  
and excellent support for different inks**

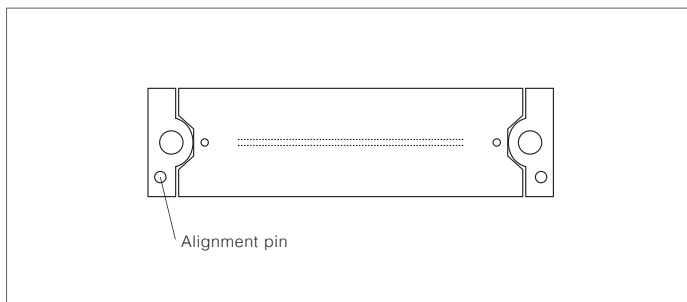
MH2420



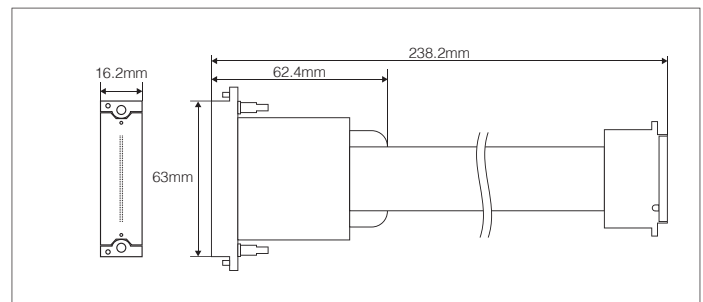
MH2420	
Method	Piston pusher with metallic diaphragm plate
Print Width	32.4 mm (1.28")
Number of nozzles	384 (2 x 192 channels), staggered
Nozzle spacing (Within a row)	1/150" (0.1693 mm)/row
Nozzle spacing (Row to row distance)	0.529 mm
Compatible ink	UV, Solvent, Aqueous, Others.
Total printhead dimensions	63(W) x 62.4(D) x 16.2(H) mm (2.48" x 2.48" x 0.64") excluding cables
Weight	73 g
Max. number of color inks	2 colors
Operating temperature range	Up to 60°C
Temperature control	Integrated heater and thermistor
Jetting frequency	Binary mode : 30kHz / Grey-scale mode : 20kHz
Drop volume	Binary mode : 7pl / Grey-scale mode : 7-35pl *depending on the ink
Viscosity range	10-12 mPa·s
Surface tension	28-35mN/m
Grey-scale	4 levels
Total Length	238.2 mm (standard) including cables
Ink port	Yes (standard) / No (optional)
Number of ink ports	2 x dual
Alignment pin direction	Front (standard) / Back (optional)

\* Results obtained from continuous jetting test using standard Ricoh test ink.

■ Nozzle



■ External dimensions



- Product appearance and specifications may be changed without prior notice for improvement purposes.
- Company and product names are trademarks or registered trademarks of their respective companies.
- Please contact your sales representative for details on performance, specifications, and restricting conditions, etc.

**RICOH**  
imagine. change.

● Inquiries and orders: