

Data Sheet  
**Inkjet Head S3200**



## 1. PrecisionCore Technology

- a. MEMS manufacturing and thin film piezo technology enable high precision and a high nozzle density, creating compact, high-speed, high-quality print heads with excellent image quality.
- b. Epson's unique precision MEMS nozzles and ink flow path, ensure that perfectly round ink droplets are placed accurately and consistently.

## 2. Support for greyscale

Epson's unique Variable Sized Droplet Technology (VSDT) delivers smooth graduations by ejecting droplets of different volumes.

## 3. High Productivity

The wide printing width of 120 mm (4.73 inches) is excellent for high production. Minimum-pass printing is possible because there is a very small variation between nozzles.

## 4. Scalability

Highly scalable S-shape design can realize space-saving for increasing productivity and multi-colours. Contributes to miniaturize the printer.

## 5. Maintenance

A high-precision positioning hole allows users to replace the head quickly and efficiently without further adjustments.

## 6. High durability

PrecisionCore print heads have proven durability and extended service life demonstrated by Epson's own industrial printers.

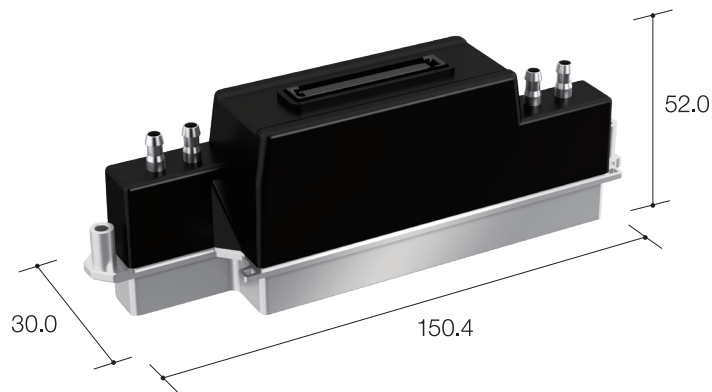
## Product Specifications

Product name	S3200-U1	S3200-U3	S3200-A1	S3200-A3	
Ink type	UV / Eco Solvent		Aqueous		
Type	PrecisionCore MicroTFP printhead				
Width x Depth x Height	150.4 x 30.0 x 52.0 mm				
Weight*	238 g		234 g		
Number of nozzle	3200 (Net: 2840)				
Nozzle pitch / nozzle row	1/300 inch				
Nozzle rows	2 rows				
Nozzle Resolution	300 npi/row 600 npi/2 rows				
Max. number of colour inks	2 colours				
Effective print width	120 mm (4.73 inches)				
Droplet ejection performance*	Binary	5 pl at 48 kHz	7.5 pl at 48 kHz	7 pl at 48 kHz	9 pl at 48 kHz
	4 levels grey scale	3.2, 5.1, 10.1 pl at 24 kHz	5.1, 8.8, 15.0 pl at 24 kHz	3.2, 7.0, 12.8 pl at 24 kHz	5.0, 9.8, 18.0 pl at 24 kHz
Viscosity range*	9.0-11.0 mPa·s	8.0-9.0 mPa·s	3.2-4.4 mPa·s	5.0-7.0 mPa·s	
Ink recirculation	Common channel recirculation				
Internal heater	Not available				
Positioning Mechanism	Reference hole				

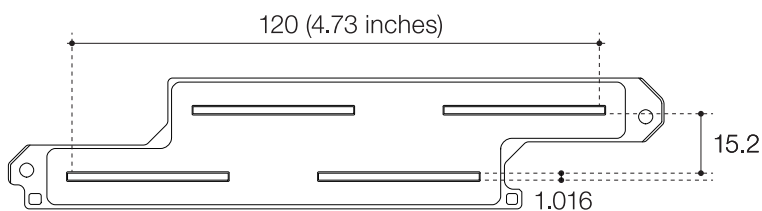
\* Combining the various grey scale and the droplet size can be realized by Epson unique waveform design.

\* Figures are reference values

## Product size (mm)



## Nozzle (mm)



## External dimensions (mm)

